



Recess awning protect

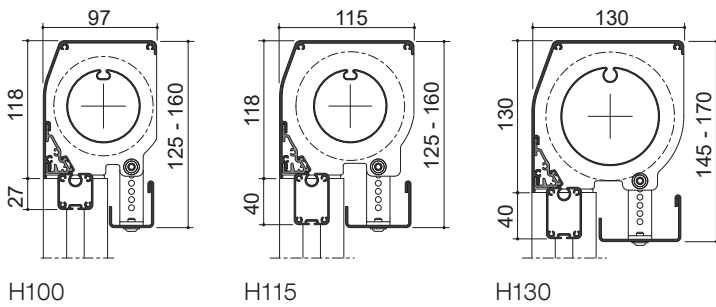
Data sheet

Recess awnings protect are rail-guided vertical awnings. By means of a self-supporting extruded half-cassette, they are ideally suited for integration into on-site recesses. In addition to their good wind stability and simple installation, there are matching deep guide rails that can be integrated just as perfectly into the façade and at the same time offer a modern look.

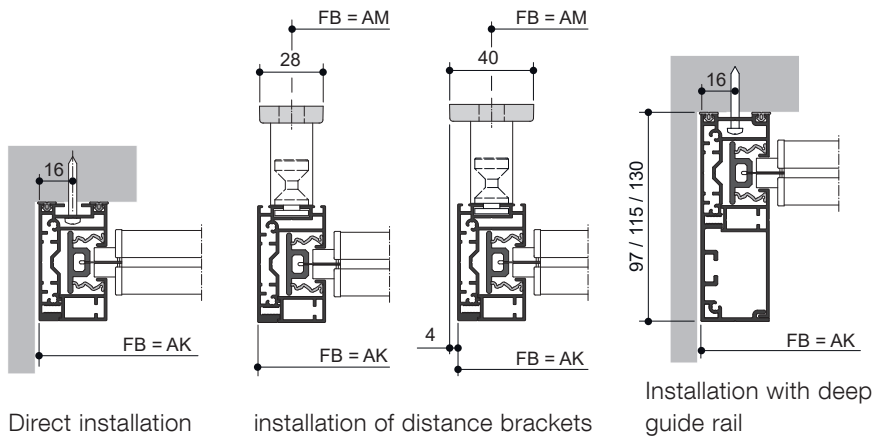
SM07

Recess awning protect

Half-box sizes:



Guide rails for direct mounting or distance bracket mounting:



Features:

- side seam guided
- Three box sizes
- Direct or spacer mounting
- Optionally with inspection cover
- Large variety of colours

Limit dimension recess awning protect

Box size	Max. surface [m ²]	Min. height [mm]	Max. width [mm]	Max. height [mm]
H110	12	500	3500	3500
H115	12	500	3500	4000
H130	12	500	3500	4500

All limit dimensions are dependent on the type of fabric. For details, please refer to the technical documentation.

